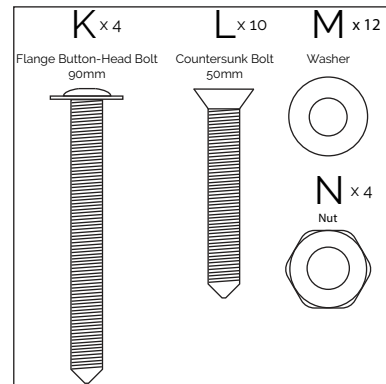
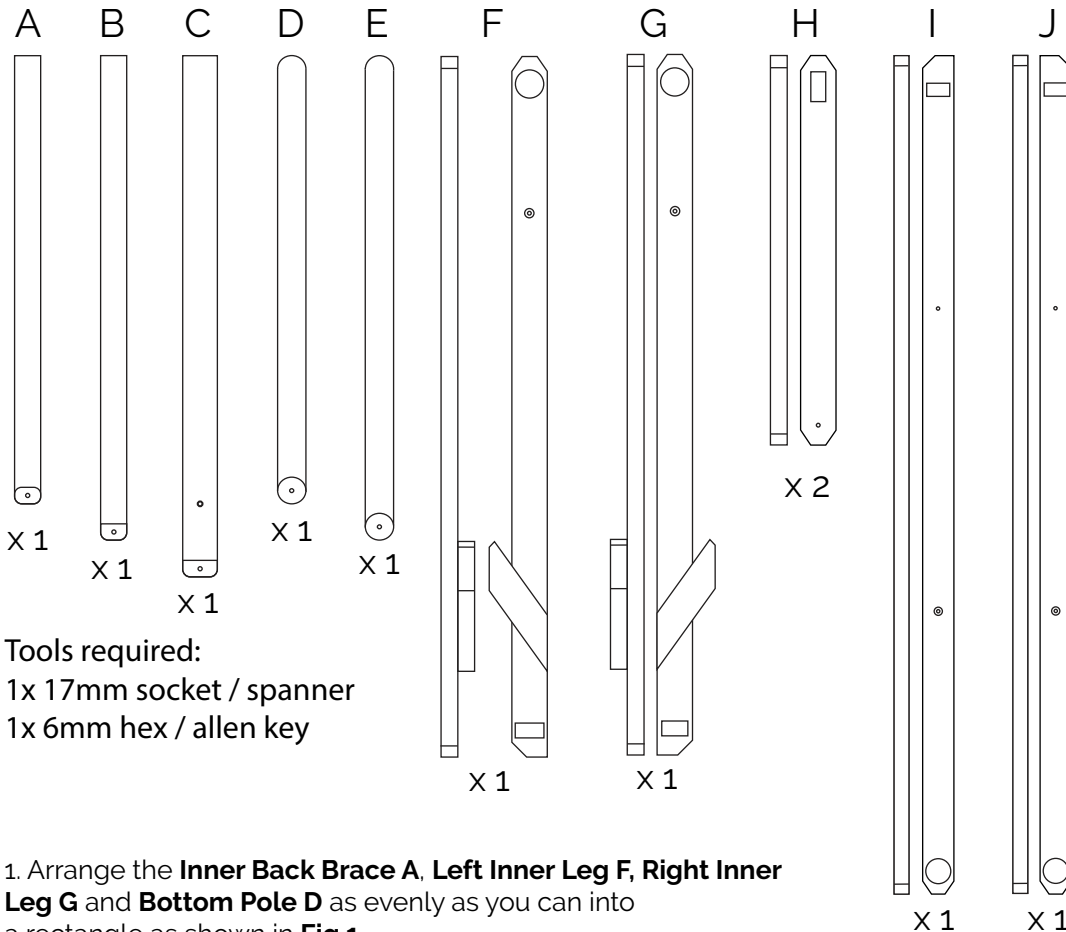


giant deckchair assembly instructions



giant deckchairs
& friends



Tools required:
1x 17mm socket / spanner
1x 6mm hex / allen key

- A= Inner Back Brace
- B= Outer Front Brace
- C= Prop Brace
- D= Bottom Pole
- E= Top Pole
- F= Left Inner Leg
- G= Right Inner Leg
- H= Prop
- I= Left Outer Leg
- J= Right Outer Leg

1. Arrange the **Inner Back Brace A**, **Left Inner Leg F**, **Right Inner Leg G** and **Bottom Pole D** as evenly as you can into a rectangle as shown in **Fig 1**.

2. Insert 2x **L** bolts through **Left Inner Leg F** to locate the nut plates secured in **A** and **D**.

3. Tighten **L** bolts using a 6mm hex key. Ensure **L** catches the nut plate properly and does not cross thread.

4. Repeat steps 2. and 3. for **Right Inner Leg G**. Again ensure that the thread of the **L** bolts catch both nut plates in **A** and **D** correctly and then tighten.

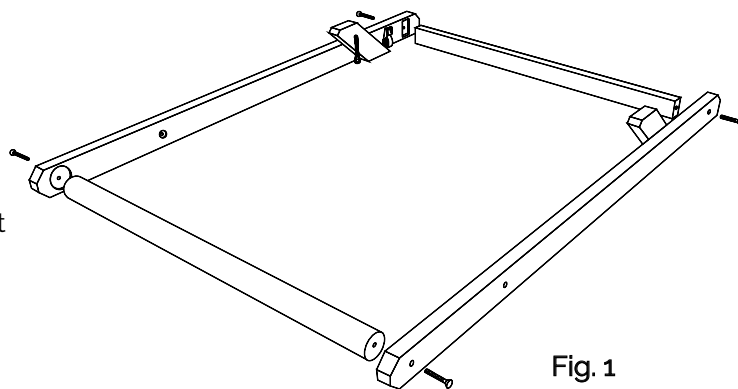


Fig. 1

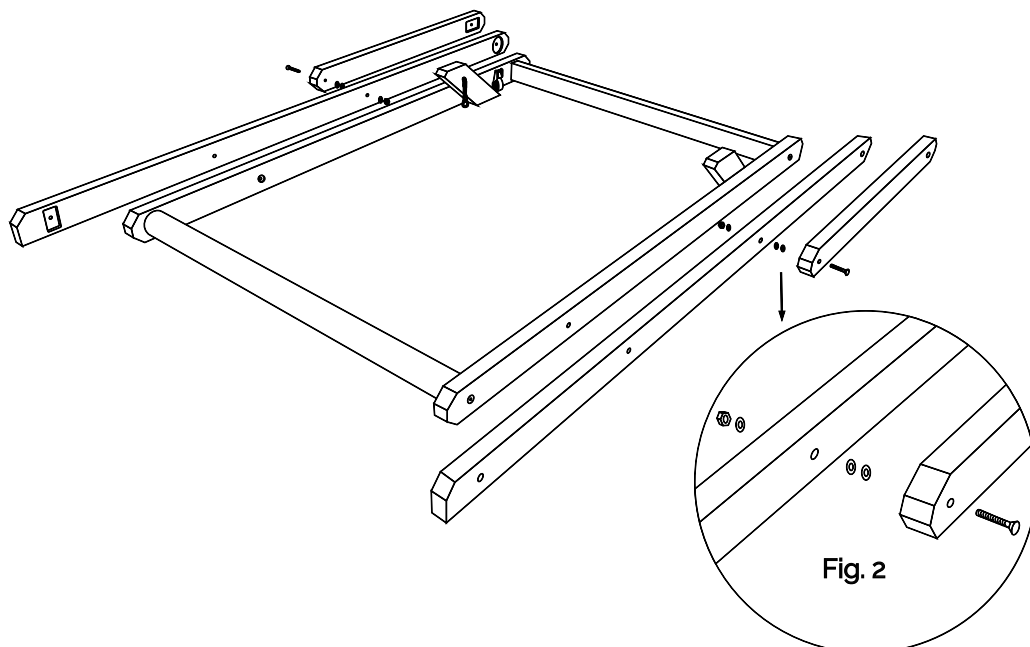


Fig. 2

5. Insert **K** bolt through 1x **Prop H** (**Fig. 2**). Slide two washers **M** onto the end of the bolt between **Prop H** and **Left Outer Leg I** and then continue to insert **K** bolt into **I**. Slide a third washer **M** onto the end of the bolt on the inner side of **I**. Hold **K** with a 6mm hex key and secure bolt with an **N** nut using a 17mm socket. Ensure that half a thread on **K** is protruding from the nut.

6. Repeat step 5. for the the other **Prop H** and **Right Outer Leg J**.

7. Repeat **step 5.** to attach **Left Outer Leg I** and **Left Inner Leg F**, Fig 3.

8. Repeat **step 5.** to attach **Right Outer Leg J** and **Right Inner Leg G**.

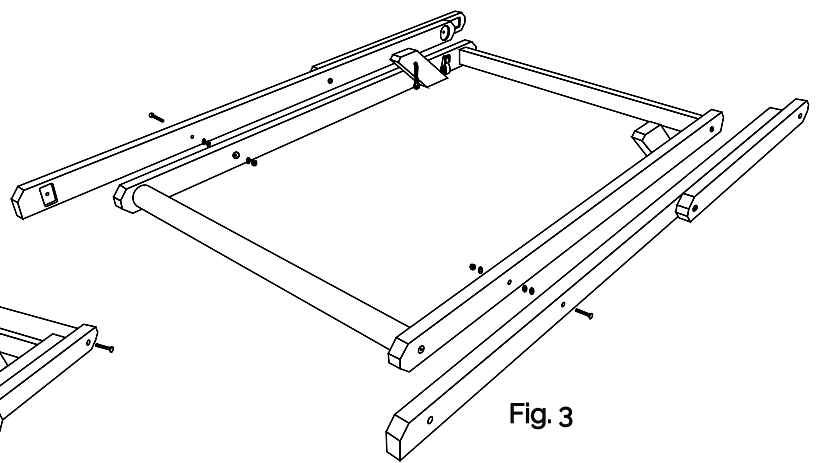


Fig. 3

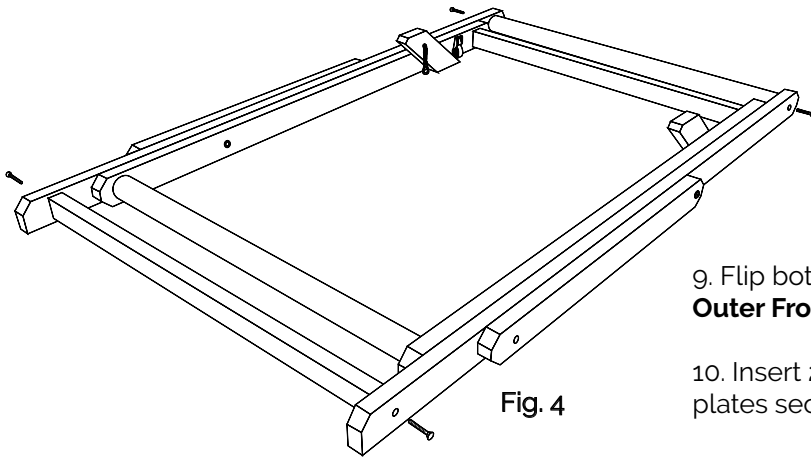


Fig. 4

9. Flip both **Props H** to face in the opposite direction and position **Outer Front Brace B** and **Top Pole E** as shown in **Fig 4.**

10. Insert 2x **L** bolts through **Left Outer Leg I** to locate the nut plates secured in **B** and **E**.

11. Tighten **L** bolts using a 6mm hex key. Ensure **L** catches the nut plate properly and does not cross thread.

12. Repeat **steps 10.** and **11.** for **Right Outer Leg J**. You will need to gently prise apart the pieces so **B** and **E** fit into **J**. Again ensure that the thread of the **L** bolts catch both nut plates in **B** and **E** correctly and then tighten.

13. Position **Prop Brace C** so the eyelet is facing down and on the same side as the safety clip, see **Fig. 5**.

14. Fit one end of **Prop Brace C** into the corresponding recess of **Prop H** and repeat with the opposite end of **C** into the other **Prop H**.

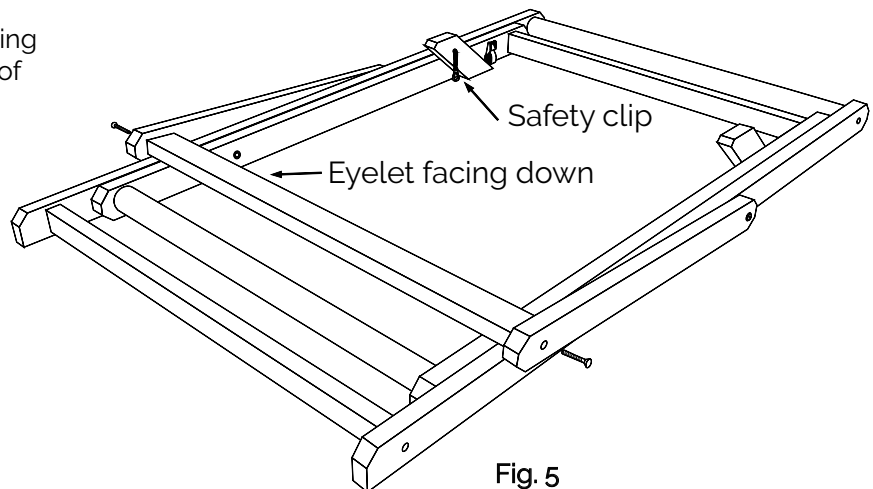


Fig. 5

15. Attach **L** bolt through **Prop H** to **Prop Brace C**. Repeat for the opposite side. Ensure **L** catches the nut plate properly and does not cross thread.

16. Flip both **Props H** and the conjoined **Prop Brace C** back in the opposite direction so that the chair lies flat on the ground.

17. Ask another person for help to unfold the chair. Standing on the outside of the frame lift **Top Pole E** upwards, making sure **I** and **J** are even. Guide the **Prop Brace C** over and in front of the stays attached to **F** and **G**. Fig. 6.

18. See separate instruction for attaching the sling.

19. Check all **L** bolts are hand tight so the chair will be stable to use. Lock the chair in this position using the safety clip and eyescrew before use. Padlock the clip for added security.

20. Refer to the Maintenance and safety advice via our website prior to each use.